



Magswitch Technology, Inc.
 8774 Yates Dr. Suite 140
 Westminster, CO 80031
 Magswitch.com.au
 303-468-0662

Magswitch MagWheel 95

P/N: 8100401

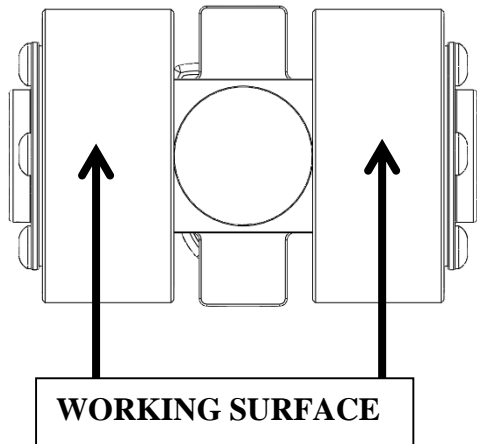
The Magswitch MagWheel offers powerful connection for drive units on any ferrous surface enabling flat, vertical or inverse travel. Applications include positioning and guiding, sheet feeding, pipe handling, fitting and fabrication and numerous OEM automation and fixturing applications. MagWheel can be fitted with drive units for mobile applications. MagWheel results in efficiency, new applications and productive solutions.

Underneath the patented MagWheel design is the highly functional AR Housing. Through clever innovation of the original Magswitch, the MagWheel provides all the features of a standard Magswitch on the move. The magnetic flux path through the wheels means climbing, carrying and driving anywhere above or below a ferrous surface is now a reliable, fail-safe reality.



WARNING!
Do Not Operate Unless In
Contact With Ferrous Target

SPECIFICATIONS	
P/N: 810401 - MAGSWITCH MagWheel 95	
Max Breakaway*	38.5 lbs/17.5 kg
Net Weight	0.66 lbs/0.3 kg
Overall Height	56mm
Magnetic Pole Footprint	41mm x 45.87mm



* Max Breakaway determined in laboratory environment on 2" thick SAE1018 Steel with surface roughness 63 micro inches. Many factors contribute to the actual breakaway force in each application. Always test the magswitch in each application before deployment. Refer to the magswitch information booklet for more information.



Part Number 110692
 Revision Date: June 26, 2012



Part Number 110692
Revision Date: June 26, 2012

* Max Breakaway determined in laboratory environment on 2" thick SAE1018 Steel with surface roughness 63 micro inches. Many factors contribute to the actual breakaway force in each application. Always test the magswitch in each application before deployment. Refer to the magswitch information booklet for more information.

